

8
1020

2-9901-0

82.46

26.02

551

33.00

20.53

v. 2023
0/1 \odot +81.59
1.20 ∇ +80.39 Ta
2.60 \blacktriangledown +78.99 Si
3.36 \blacktriangledown +78.23 hkSi
4.72 \blacktriangledown +76.87 saSi
8.95 \blacktriangledown +72.64 Mr

v. 2023
0/2 ∇ +81.94
0.96 ∇ +80.98 Ta
4.40 \blacktriangledown +77.54 Si
8.84 \blacktriangledown +73.10 Mr

v. 2023
0/3 \odot +82.56
3.20 ∇ +79.36 Ta
5.64 \blacktriangledown +76.92 hkSrMr

v. 2023
0/4 ∇ +82.40
0.36 ∇ +82.04 Ta
1.16 \blacktriangledown +81.24 Hk
4.00 \blacktriangledown +78.40 Mr

v. 2023
0/5 \odot +85.73
3.00 ∇ +82.73 Ta
4.24 \blacktriangledown +81.49 Hk

v. 2023
0/6 ∇ +86.29
1.48 ∇ +84.81 Ta
3.48 \blacktriangledown +82.81 Hk

24.17

31.16

552

A

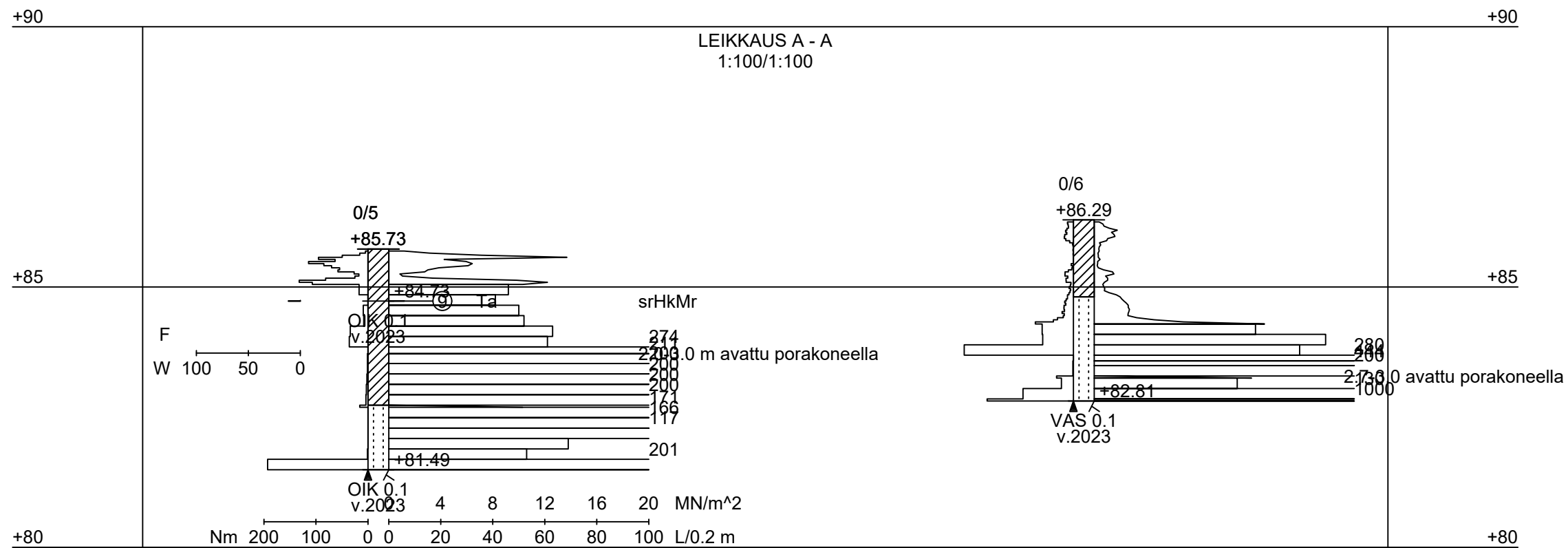
B

A

B

C

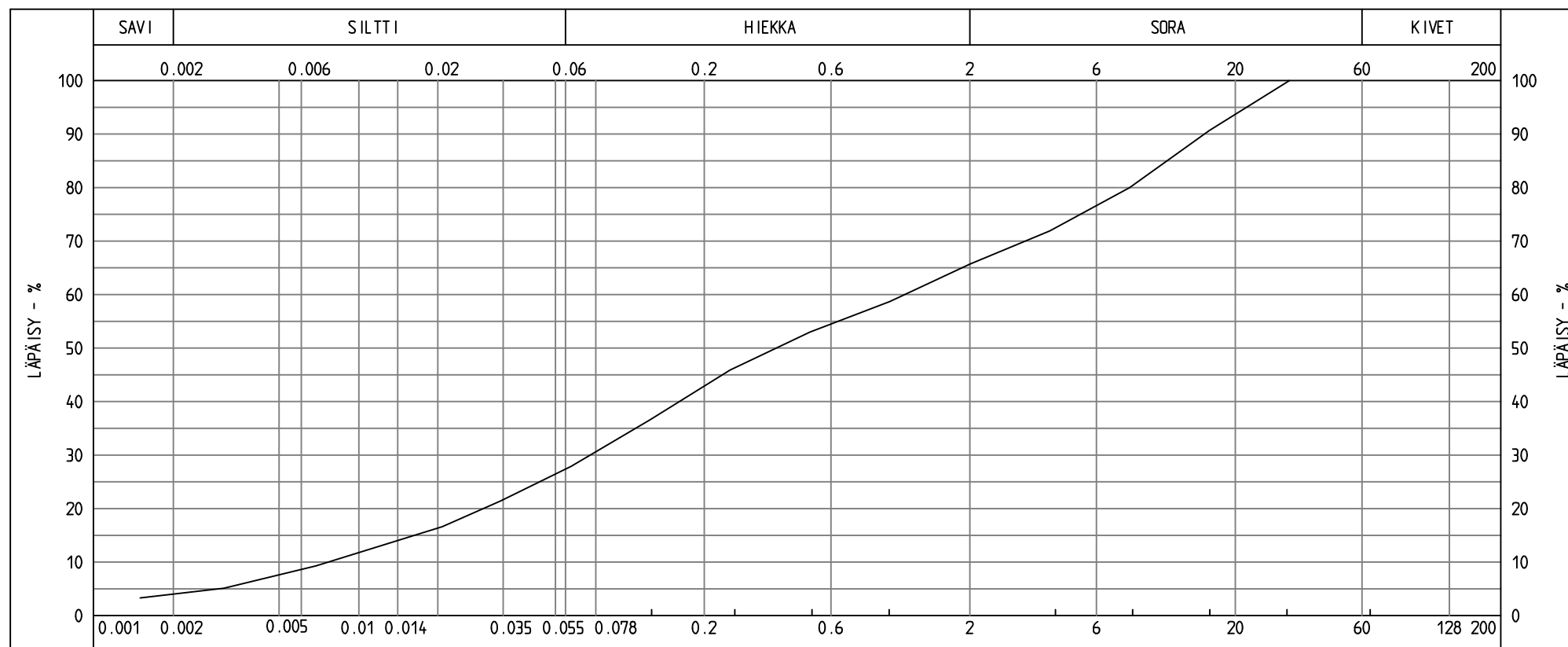


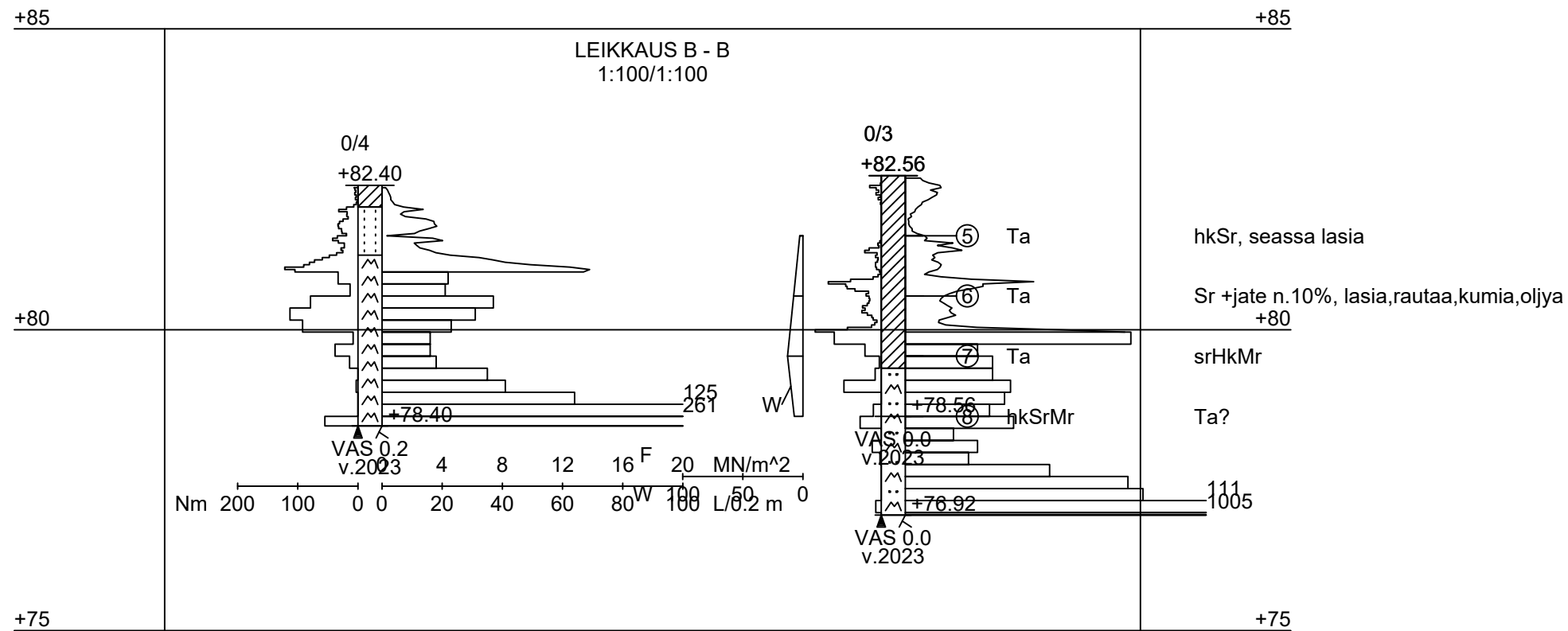


Näyte 9

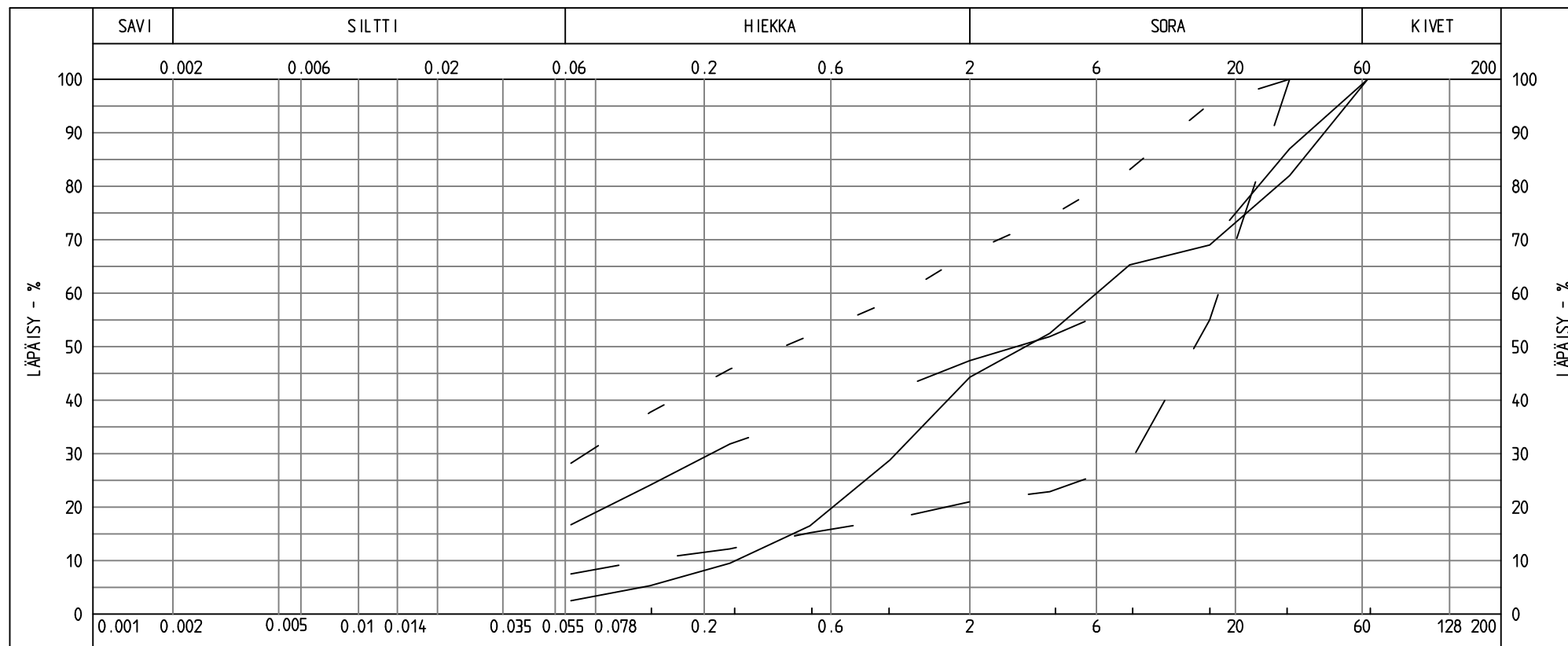
1599
x 6765569.1
y 25471041.5

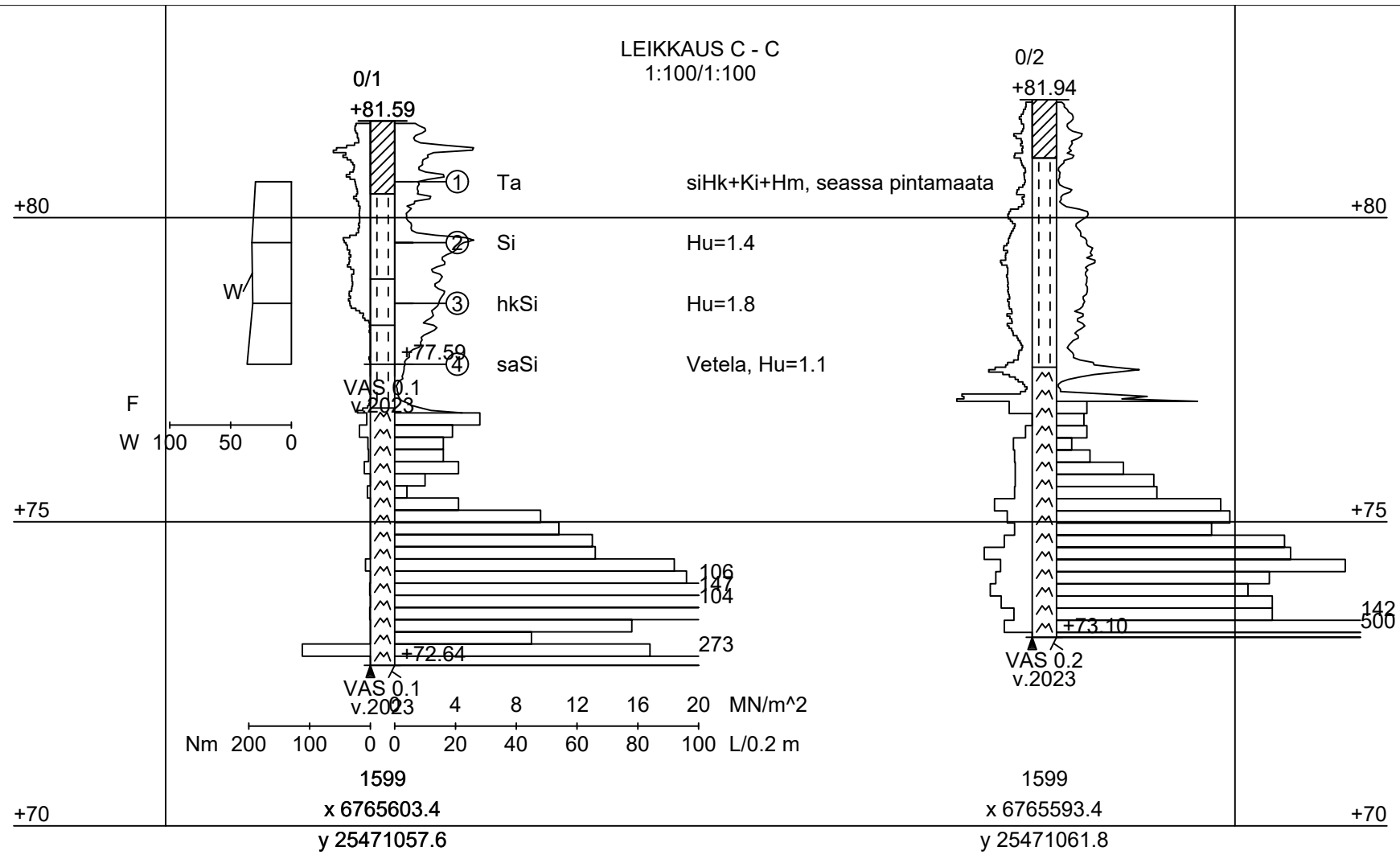
1599
x 6765568.2
y 25471055.0





Näyte 5 6 7 8





Näyte 1 2 3 4

